

# B.A. BUSINESS ADMINISTRATION

Fall 2024– Spring 2025

**BSNS REQUIREMENTS: All BSNS program courses must be completed with a grade of "C" or better.** **64 credits**

CIST 1206 Statistics	(4)	<b>BSNS Electives:</b> Choose from ACCT, BUSA, ECON, FINA, HTMS, INTL, MKTG, MGMT, PLAW at the 3000 level or above.		
ECON 1200 Macroeconomics	(4)			
BUSA 2110 Technology in Business	(4)			
ACCT 2110 Financial ACCT	(4)			
ACCT 2120 Managerial ACCT	(4)		Internship/BSNS Elective	(4)
BUSA 2120 Introduction to Business Analytics	(4)		BSNS Elective	(4)
MGMT 2110 Intro to Management	(4)		BSNS Elective	(4)
MKTG 2110 Marketing Principles	(4)		BSNS Elective	(4)
PLAW 2120 Business Law I <b>OR</b> PLAW 3110 Legal, Social, Ethical ...	(4)		* With preceptor's permission, FINA 3115 may be substituted for FINA 3110	
FINA 3110 Intro to Financial Mgmt*	(4)		Transfer students may use transferred courses (including Introduction to Business) as "Other Business Courses", to satisfy the minimum number of credits (64) for this area.	
BUSA 3120 Operations Management	(4)			
MGMT 4112 Business Policy & Strategies (seniors only)	(4)			

**GENERAL STUDIES REQUIREMENTS:** **64 credits**

**G COURSES:** (32 total credits) No more than 12 credits in any "G" category may be applied towards the BA degree.

GEN General Interdisciplinary	(4)	GNM General Natural Science & Math	(4)
GIS-General Integration & Synthesis (Jr. yr.)	(4)	GNM General Natural Science & Math	(4)
GAH General Arts & Humanities	(4)	GSS General Social Science	(4)
GAH General Arts & Humanities	(4)	GSS General Social Science	(4)

**AT SOME DISTANCE ELECTIVES:** (32 total credits) **ECON 1400 Microeconomics required (4 credits)**  
**Additional Courses should be unrelated to your major (may include CSIS courses)**

ECON 1400 Microeconomics *(Required)	(4)	AT SOME DISTANCE Elective	(4)
AT SOME DISTANCE Elective	(4)	AT SOME DISTANCE Elective	(4)
AT SOME DISTANCE Elective	(4)	AT SOME DISTANCE Elective	(4)
AT SOME DISTANCE Elective	(4)	AT SOME DISTANCE Elective	(4)

**GENERAL STUDIES OUTCOME REQUIREMENTS:** These course attributes should be completed within the 128 credits needed to graduate.

(A) Arts		(V) Values/Ethics	
(H) Historical Consciousness		(I) International/Multicultural	
(R1) Race and/or Racism Intensive		(R2) Race and/or Racism Education	

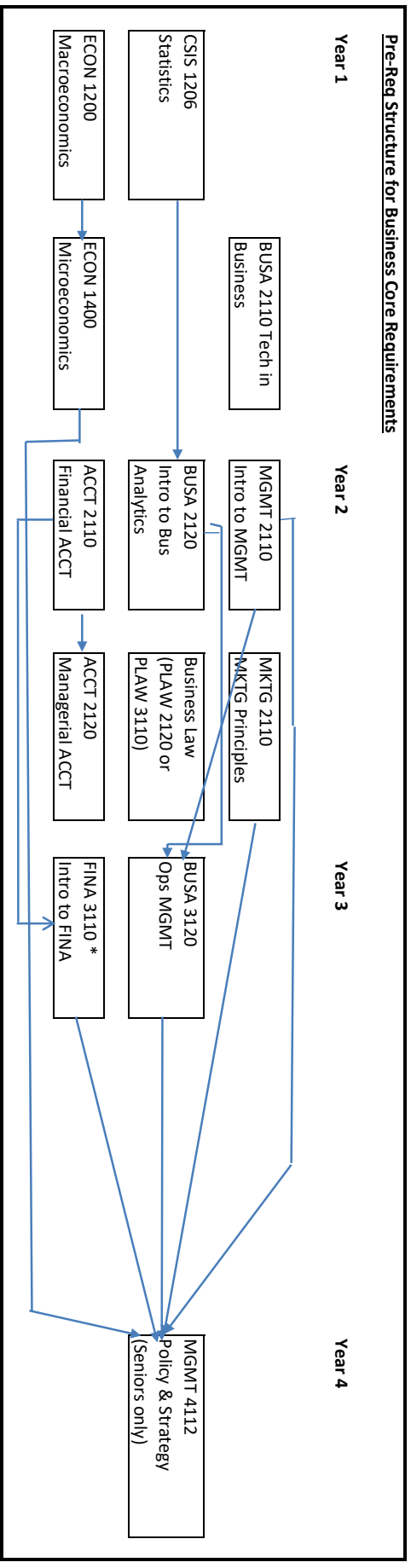
**GENERAL STUDIES WRITING REQUIREMENT: (4 courses)**  
 Two W1 courses may be in transfer. W2 courses must be taken at Stockton.

W1		W1/W2		W1/W2		W1/W2 at 3000 Level	
----	--	-------	--	-------	--	---------------------	--

**GENERAL STUDIES QUANTITATIVE REASONING REQUIREMENT: (3 courses)**  
 Two Q1 courses may be in transfer. Q2 courses must be taken at Stockton.

Q1		Q2		Q1 or Q2	
----	--	----	--	----------	--

**Pre-Req Structure for Business Core Requirements**



If a student has met the pre-requisites, s/he may take courses in semesters earlier than indicated.

\*With preceptor permission, FINA 3115 may be substituted for FINA 3110